

GENERAL AGENCY NAME AND CONTACT INFORMATION**Agency Legal Name:**

Archuleta County

Agency Contact Name:

Laura Vanoni

Agency Contact Phone:

970-264-2250

Agency Contact Email:lvanoni@archuletacounty.org**Agency Contact Mailing Address:**

PO Box 1507

Pagosa Springs, CO 81147-1507

Agency Contact DOT Street Address:

777 CR 600

Pagosa Springs, CO 81147

FORD FIN Code:

QE486

AGENCY INVOICE INFORMATION**Agency Bill To Address:**

P. O. Box 1507

Pagosa Springs, CO 81147

Agency Point of Delivery (Street Address):

777 CR 600

Pagosa Springs, CO 81147

APPLICATION FOR TITLE / DOT NAME AND ADDRESS**Agency Legal Title Name:**

Archuleta County

Agency Legal Title Address:

P. O. Box 1507

Pagosa Springs, CO 81147

INSURANCE INFORMATION**Insurance Company Name:**

Colorado Counties Casualty Property Pool

Agency Policy #:

2021 Self Insurance



COLORADO
Department of Transportation



Funding Source		FTA Section 5339(b)	Date	Wednesday, November 10, 2021
CDOT Grant #		22-HTR-ZL-00108	Agency Name	Archuleta County
CDOT PO #		491002762	Contact	Laura Vanoni
FTA/CDOT Share		\$92,684.00	Street Address	PO Box 1507 / 777 CR 600
Total Grant Budget		\$109,040.00	City	Pagosa Springs
			State	CO
			Zip	81147
			Phone	970-264-2250
			Email	lvanoni@archuletacounty.org

CHASSIS STANDARD FEATURES:

7.3L V8 GAS ENGINE - 6 SPEED AUTOMATIC TRANSMISSION - 55 GALLON FUEL TANK - 240 AMP ALTERNATOR - FORD MOTORCRAFT BATTERIES (1400 CCA COMBINED) - 4.56 DIFFERENTIAL - LT225/75R16 ALL SEASON TIRES - WHITE STEEL WHEELS - OEM FRONT BUMPER - ENGINE BLOCK HEATER - DAYTIME RUNNING LIGHTS (DRL) - OEM POWER DRIVER SEAT - OEM AM/FM/USB/BT STEREO - TWO 12 VOLT POWER POINTS IN DRIVER AREA - TILT STEERING - CRUISE CONTROL - OEM REARVIEW MIRROR - OEM DRIVER SUN VISOR - INTERMITTENT WIPERS

BUS BODY STANDARD FEATURES

CHASSIS AIR VALVE EXTENSIONS ON DUAL REAR WHEELS - FRONT & REAR MUD FLAPS - LOCKING FUEL FILLER DOOR - STEEL REAR BUMPER - REAR TOW HOOKS - DRIVESHAFT GUARDS - EXHAUST EXITS STREETSIDE REAR W/12" CLEARANCE AND 3 TAILPIPE HANGERS - REMOTE POWER/HEATED EXTERIOR SIDE MIRRORS - HD DRIVER RUNNING BOARD - DRIVER DOOR GRAB HANDLE - SPARE WHEEL AND TIRE - FULL FRONT END ALIGNMENT -

CLIMATE CONTROL/HEATING 65K BTU ACT 45HD REAR AIR CONDITIONER DUAL COMPRESSOR - EVAPORATOR DRAIN LINES, HOSES, AND GAPS COVERED W/CLOSE OUT PANELS MATCHING BUS INTERIOR - 65K BTU REAR HEATER WITH BOOSTER PUMP - ELECTRIC HEATER CONTROL VALVES - SILICONE HEATER HOSES - HOSES AND WIRING HEAT SHIELDED W/"P" CLAMPS @24" INTERVALS - ELECTRIC HEATED ENTRY STEP, CONSOLE ON/OFF SWITCH -

ELECTRICAL ELECTRICAL COMPARTMENT W/LATCHING ACCESS DOOR, 4 OPEN 30AMP BREAKER SLOTS - "AS BUILT" WIRING LEGEND MOUNTED INSIDE ACCESS DOOR - COLOR CODED WIRES W/STAMPED CIRCUIT ID - INTERIOR WIRING PIN AND SOCKET CONNECTORS - EXTERIOR WIRING WEATHERPROOF CONNECTORS - WIRES LARGER THAN 10 GAUGE CRIMPED, SOLDERED, AND SEALED WITH HEAT SHRINK TUBING - GROUNDS BETWEEN (1) ENGINE AND FRAME, (2) BODY AND FRAME (3) LIFT PUMP AND BATTERY - BOTH BATTERIES IN BOX W/SLIDE OUT TRAY, STAINLESS SLIDES DIAGRAM OF BATTERY POWER CIRCUIT INSIDE ACCESS PANEL - CONTINUOUS SGX BATTERY CABLES - ENGINE HOUR METER - VOLTMETER - EXTERIOR ENTRY DOOR TOGGLE SWITCH - EMERGENCY EXIT WINDOWS AUDIBLE ALARM SYSTEM - INTERMOTIVE GATEWAY FAST IDLE/LIFT INTERLOCK W/"DOOR AJAR" DISPLAY, AUDIBLE ALARM - MASTER BATTERY DISCONNECT SWITCH -

LIGHTING LED EXTERIOR LIGHTS - CENTER HIGH MOUNT REAR BRAKE LIGHT - ARMORED HOUSINGS FOR EXTERIOR MARKER & CLEARANCE LIGHTS - REAR LICENSE PLATE HOLDER WITH LED LIGHT - LED INTERIOR LIGHTS - DRIVER DOME LIGHT - SIX (6) PASSENGER DOME LIGHTS (EIGHT (8) PASSENGER DOME LIGHTS ON UNITS 25 FEET OR LONGER) - INTERIOR STEPWELL & EXTERIOR ENTRY LIGHTS - INTERIOR & EXTERIOR LIFT DOOR LIGHTS -

EXTERIOR FRP EXTERIOR WALLS - RAIN GUTTERS OVER WINDOWS AND DOORS - FLEXIBLE SEALANT - DUAL ELECTRIC ENTRY DOORS - "T" SLIDER PASSENGER WINDOWS - TRANSPEC ROOF HATCH - REAR WALL EMERGENCY EXIT WINDOW - TWO EGRESS WINDOWS PER SIDE (MINIMUM) -

FLOORING 5/8" MARINE GRADE PLYWOOD SUBFLOOR - GERFLOR FLOORING SEALED & COVED - YELLOW STEP NOSING - YELLOW STANDEE LINE WITH SIGN - FUEL SENDING UNIT ACCESS PANEL IN FLOOR -

INTERIOR 7"x10" PASSENGER VIEW MIRROR - OVERHEAD STORAGE COMPARTMENT, LARGE LOCKABLE ACCESS DOOR - DRIVER CONTROL CONSOLE WITH NUT AND BOLT FASTENERS, REMOVABLE ACCESS PANEL, DETACHABLE CONNECTORS - PADDED, VINYL WRAPPED HEADERS OVER 1) LIFT DOORS, 2) ENTRY DOORS, 3) DRIVER COMPARTMENT - FLOOR TO CEILING STAINLESS VERTICAL STANCHIONS WITH THROUGH BOLTED CROSSRAILS, PADDED/VINYL WRAPPED LOWER MODESTY PANELS, AND SMOKED PLEXI UPPER PANES LOCATED BETWEEN (1) STEPWELL AND FRONT LIFT, (2) LIFT AND CURBSIDE SEATS, (3) DRIVER'S SEAT AND STREETSIDE SEATS - DRIVER COAT HOOK - DUAL OVERHEAD GRAB RAILS - DUAL ANGLED GRAB RAILS FOR ENTRY STEPS -

SEATING FREEDMAN FEATHERWEIGHT MID HI PASSENGER SEATS WITH LEVEL 3 UPHOLSTERY, ABS SEAT BACKS, FREEDMAN USR SEAT BELTS, AND TWO 12" SEAT BELT EXTENSIONS - FLOOR AND WALL SEAT MOUNTING TRACKS, CLOSE OUT TRIM COVERS - DRIVER SEAT UPHOLSTERY LEVEL 3 -

PARATRANSIT DUAL WHEELCHAIR LIFT DOORS WITH LOCKABLE EXTERIOR HANDLES, GAS STRUTS, AND NYLON STRAPS - BRAUN CENTURY2 1,000 POUND WHEELCHAIR LIFT WITH HANDRAIL BELT - LIFT PENDANT CONTROL CORD "P" CLAMPED TO LIFT DOOR - Q'STRAIT QRT MAX RETRACTORS - Q'STRAIT RETRACTABLE LAP AND WALL MOUNT SHOULDER BELTS - "L" TRACK -

AUDIO/VIDEO REI FOUR CAMERA SYSTEM, 6 CHANNEL, 500GB DVR, & EVENT BUTTON - 6 STEREO SPEAKERS (2 FRT OEM, 4 REAR BODY) (MINIMUM) -

SAFETY OPTIONS WEB CUTTER - BODY FLUID CLEAN UP KIT - TWO (2) 6"x6" WHEELCHAIR DECALS - 5 POUND ABC FIRE EXTINGUISHER - 24 UNIT FIRST AID KIT - THREE EMERGENCY WARNING TRIANGLES - BACKUP ALARM (97dB) - EMERGENCY EXIT DECALS - EXTERIOR HEIGHT DECAL - FMVSS COMPLIANCE DECAL - DESIGNED TO TRANSPORT LABEL - ROSCO B/U CAMERA SYSTEM W/REAR VIEW MIRROR DISPLAY -

DOCUMENTATION AND MANUALS A/C SYSTEM INFORMATION LABEL UNDERHOOD - WATER TEST CERTIFICATION - BUS BODY OPERATOR'S MANUAL - PERIODIC MAINTENANCE & INSPECTION SCHEDULE - INSTALLED COMPONENT MANUALS - AS BUILT WIRING SCHEMATICS - AS BUILT BUS BODY PARTS MANUAL - MODEL & SERIAL NUMBER MANIFEST - OEM CHASSIS SERVICE MANUAL - OEM CHASSIS OPERATOR'S MANUAL - FIRST ANNUAL DOT INSPECTION REPORT AND CERTIFICATION STICKER - 60 DAY COLORADO TEMPORARY TAG - ALIGNMENT BEFORE AND AFTER SETTINGS PRINTOUT - WEIGHT SLIP -

MISCELLANEOUS TWO COMPLETE SETS OF KEYS

GENERAL OPTIONS

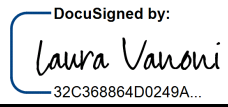
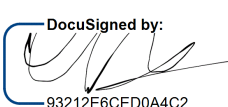
MODEL	ECII	GRAPICS COLOR	See Proof
INTERIOR TRIM COLOR	Gray	SEAT FABRIC	Level 3 Predictions Vinyl Indigo #612
FLOOR COLOR	Griffon 6768	PASSENGER CAPACITY	12 Fixed Ambulatory and 2 W/C Positions
EXTERIOR BODY COLOR	See Proof		Rear Lift
EXTERIOR SKIRT COLOR	See Proof		NON-CDL

SPECIAL INSTRUCTIONS OR NOTES

SEE PURCHASER SPECS TAB FOR ADDITIONAL NOTES

BUS MODEL				2021 CDOT Order PRICE	QTY	SUB TOTAL
CLASS C - FRONT LIFT - 2022 FORD E450, ELKHART COACH ECII, 14500 GVWR, 186"WB, 300" (25'), 12+2				\$73,174.00	1	\$73,174.00
SECTION	OPTION #	OPTION DESCRIPTION	LEAD TIME		QTY	SUB TOTAL
CHASSIS						
5.3.2	2	Limited Slip Rear Axle	Up to four months	\$304.00	1	\$304.00
5.3.3	4	Telma Driveline Retarder		\$8,582.00	1	\$8,582.00
5.3.15	6	Spare Tire Delete		-\$189.00	1	-\$189.00
5.3.15	7	Drop Down Tire Chains - On-Spot		\$3,903.00	1	\$3,903.00
5.3.15	8B	Blizzak Mud & Snow Tires		\$1,455.00	1	\$1,455.00
5.3.17	9	Locking Fuel Door	Thumb Latch Only	STD	1	
5.3.18	10B	Front HELP Safety Bumper - Class B,C,D	MUST INCLUDE FRT LICENSE PLATE FRAME	\$1,106.00	1	\$1,106.00
5.3.18	11	Rear HELP Safety Bumper		\$584.00	1	\$584.00
ELECTRICAL						
5.6.2	21	Standard Blade Fuses	STD with Flex Tech Module	STD	1	
5.7	26	Underhood Service Light - Ford		\$93.00	1	\$93.00
LIGHTING						
5.7	29B	Additional LED Turn Signals on Side of Bus	One set in front, one behind wheels	\$66.00	1	\$66.00
5.7	29C	Additional Rear LED Stop Lights		\$49.00	1	\$49.00
5.7	29D	Additional Rear LED Turn Signals		\$91.00	1	\$91.00
5.7	29E	7" Additional LED Brake/Taillights		\$398.00	1	\$398.00
EXTERIOR						
5.13	41	Rear Emergency Exit Door - Not tied into interlock		\$607.00	1	\$607.00
INTERIOR						
5.12	40	Two Horizontal Grab Handles Mounted to Interior of Entry Doors - Yellow	ON ENTRY DOORS	\$151.00	1	\$151.00
5.19.3	43D	Additional Stanchion	Near Dash For Farebox Mount	\$184.00	1	\$184.00
FLOORING						
5.10	36B	Raised or Flat Floor - Int Ht 75", Ext Ht 116" CLASS C/D FRONT LIFT, CLASS A/B/C/D REAR LIFT		\$319.00	1	\$319.00
5.10.7	38	White Standee Line / Sign / Step Edging		N/C	1	
PASSENGER SEATING						
5.20	45	Seat Delete - remove 1 DBL Mid Hi		-\$453.00	2	-\$906.00
DLR	ADDED OPTION	Arm Rest - Flip-up, US Arm, Molded, Black	DLR Quote	\$26.00	6	\$156.00
DLR	ADDED OPTION	Anti-Vandal Grab Handle, Black	DLR Quote	\$26.00	6	\$156.00
DRIVER SEAT						
5.21	50	Adnik Power Seat Base w/Vinyl Skirt		\$356.00	1	\$356.00
5.21	51B	USSC Evolution G2ELP Driver's Seat - Must Select Option 50		\$1,283.00	1	\$1,283.00
PARATRANSIT						
5.22.4	53A	Q-Straint Slide-N-Click - credits STD L-track	QRT MAX SNC	\$150.00	2	\$300.00
5.22.4	57	Vinyl Storage Pouch		\$41.00	2	\$82.00

5.23	59	Rear Lift Configuration - Class C - adds 2 DBL Seats (16+2)	Rear Lift Configuration with Flip or Foldaway seats must have additional ADA Priority Seating signage installed over seats	\$1,257.00	1	\$1,257.00
SAFETY OPTIONS						
5.3.18	15	Rosco Back-up camera system w/ Integral Display in Rear View Mirror		STD	1	
DLR	ADDED OPTION	Front Curbside Crossover Mirror, Heated		\$136.00	1	\$136.00
FAREBOXES						
5.32	71D	Diamond Model XV		\$1,506.00	1	\$1,506.00
MISCELLANEOUS						
5.9	30	Additional Complete Set of Keys	3 SETS TOTAL	\$169.00	1	\$169.00
5.28	65	Sportworks DL2 2-Position Bike Rack		\$2,798.00	1	\$2,798.00
5.30	68	Passenger Stop Request - Pull cord and 2 touch tape WC stations - Use Option 68B to add \$80 for any additional WC stations over two		\$399.00	1	\$399.00
5.33	72	Two Way Radio Pre-Wire and Antenna Prep		\$48.00	1	\$48.00
DEALER ADDED OPTIONS						
DLR	ADDED OPTION	Award Amount Adjustment		-\$12.00	1	-\$12.00
PAINT/GRAPHICS						
5.26	64	Custom Paint/Graphics: Two-Tone Full Body Paint Spot Graphics, Lettering, Multiple Designs		\$10,435.00	1	\$10,435.00

Agency and Dealer approval of specifications, selected options, floor plan, weight analysis, paint/graphics proofs, camera view angles, and price is acknowledged by signing below:			Quoted Cost	
Date: 11/10/2021	Name: Laura Vanoni	Title: Transportation Director	Base Bus	\$73,174.00
			Optional Features	\$25,431.00
	Customer Signature:	 <small>DocuSigned by: 32C368864D0249A...</small>		Vehicle Sub Total
Date: 11/10/2021	Name: Comer Hobbs	Title: Bus Sales Manager	COVID Equipment	\$0.00
			Paint and Graphics	\$10,435.00
	Dealer Signature:	 <small>DocuSigned by: 93212E6CED0A4C2...</small>		ITS Equipment
			Extended Warranty	\$0.00
			Add-Ons Sub Total	\$10,435.00
			Freight FOB Denver, CO	
			Order SubTotal	\$109,040.00
INSPECTION ADDRESS, DEALER		STREET, CITY, COLORADO, ZIP:	TOTAL NUMBER OF BUSES ON ORDER	
7182 Reynolds Drive, Sedalia, CO 80135			1	
DELIVERY ADDRESS, AGENCY		STREET, CITY, COLORADO, ZIP:	ORDER TOTAL	
1122 HWY 84, Pagosa Springs, CO 81147			\$109,040.00	

DISTANCE:	305.00	DELIVERY CHARGE PER MILE:	N/C	
	MILES	TOTAL DELIVERY CHARGE:		
DELIVERY TIMEFRAME FROM RECEIPT OF PURCHASE ORDER:	180-250	DAYS		

PRODUCTION NOTES

PURCHASER REQUIRED SPECIFICATIONS

Purchaser shall specify or approve optional configuration, mounting location, and operational preferences at time of order.

RFP ITEM	REQUIRED PURCHASER INPUT	PRODUCTION NOTES
LOCKING FUEL DOOR	Specify KEEP fuel filler door or DELETE	Fuel Door with Thumb Latch Only
MASTER BATTERY DISCONNECT SWITCH	Specify switch mounting location preferences. (DRIVER STEPWELL ONLY)	In Driver Stepwell
BATTERY BOX	Specify preference for keyed lock or thumb latch access panel securement.	Thumb Latches Only
FLOOR COVERING	Specify floor color from stock selections.	6768 Griffon NT
OVERHEAD COMPARTMENT	Specify keyed lock or thumb latches.	Thumb Latches Only
SEAT COVERING	Specify color and fabric type/level (within the guidelines of material type).	Level 3 Predictions Vinyl Indigo #612
SAFETY EQUIPMENT	Specify mounting locations for Fire Extinguisher, First Aid Kit, Reflective Triangles, and Body Fluid Kit.	Standard Locations Forward of Entry Doors
SECURITY AND SURVEILLANCE SYSTEM	Specify camera view angles.	INT - 1. Out Windshield 2. On Entry Way 3. On Lift Doors and W/C Positions 4. Viewing Passenger Compartment from Front to Rear

PURCHASER SELECTED OPTION SPECIFICATIONS

Purchaser shall provide preferences for option configurations at time of order. Section and option numbers reference requirements detailed in Appendix A1 Technical Specifications.

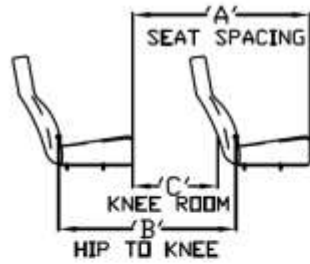
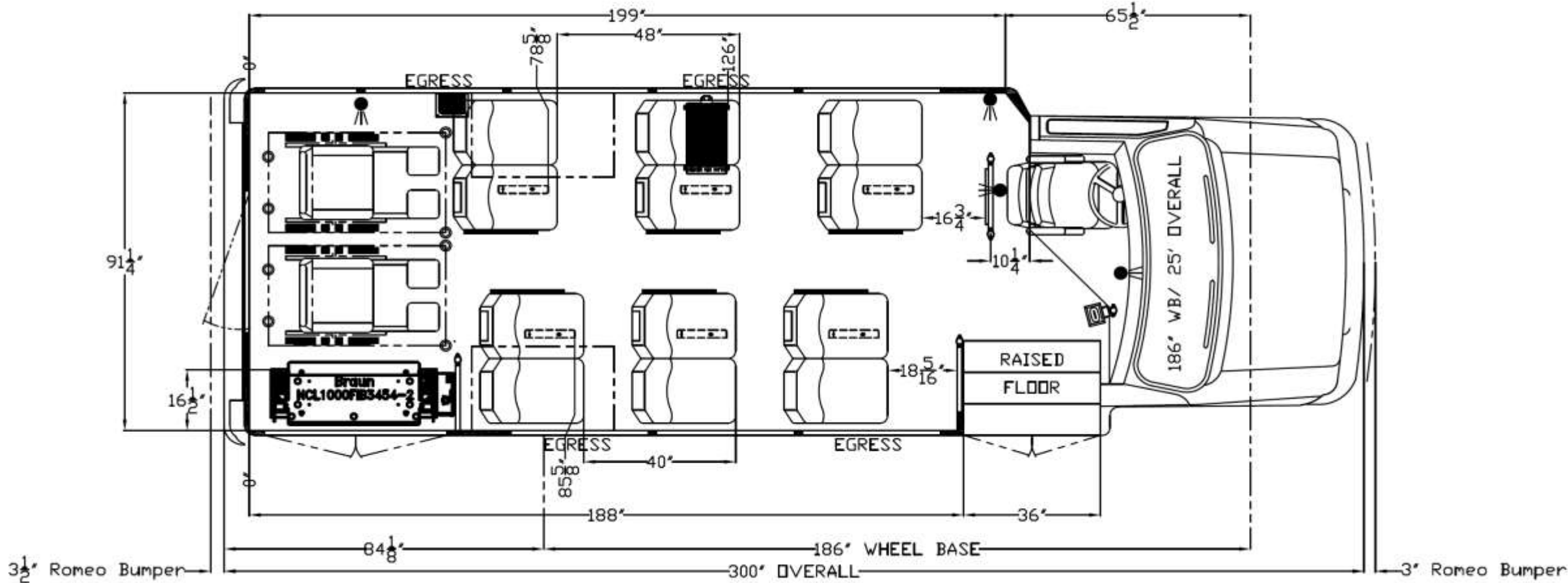
RFP ITEM	REQUIRED PURCHASER INPUT	PRODUCTION NOTES
TELMA RETARDER	Specify foot pedal or dash lever activation	Foot Pedal
SECOND SET OF TURN SIGNALS	Specify location: directly above existing midship signals or one set in front of rear wheels, one set behind	One set in front of rear wheels, one set behind.
VINYL STORAGE POUCH	Specify mounting location.	Mount to rear wall, either side of rear door. Mount above floor for easy cleaning.
CUSTOM PAINT AND GRAPHICS	Provide all paint/graphics configuration designs, photos, paint codes and approve elevation diagrams.	Two Tone Full Body Paint and Logo Graphics - See Proof
FAREBOX	Specify mounting location.	Mount to right hand stanchion at top of entry stairs.
RADIO ANTENNA PREP	Specify pull tube and power/ground wires termination location.	Ground plane in cap with pull tube running down to doghouse area. Provide excess key-on power, battery power, and ground wires at doghouse.

ADDITIONAL CONFIGURATION OR OPTION NOTES:	None
---	------



FLOORPLAN AND WEIGHT CALCULATION

REV	DATE	BY	DESCRIPTION	REV	DATE	BY	DESCRIPTION	REV	DATE	BY	DESCRIPTION
-	-	-	-	-	-	-	-	-	-	-	-



● = Camera
Note: All camera locations shown are approximate. Cameras may not be installed in these exact locations.

SEAT STYLE	SEAT SPACING 'A'	HIP-TO-KNEE 'B'	KNEE ROOM 'C'
MID HIGH	48"	46"	28"
MID HIGH	40"	38"	20"

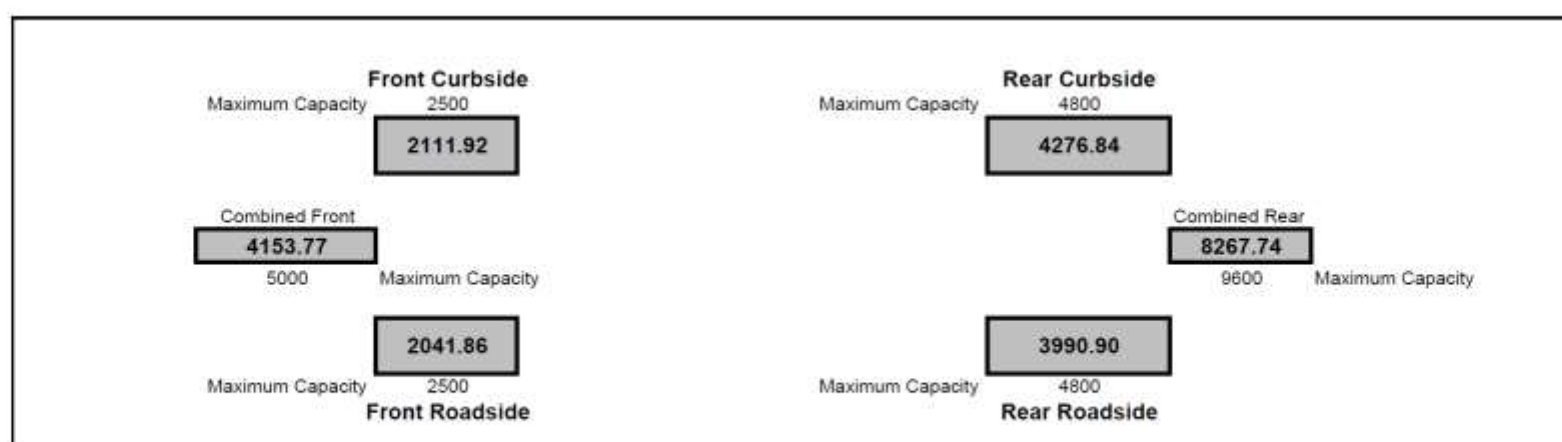
DEALER SIGNATURE: _____

Q-42-032321-00

PROJECTION	Floor plan ECCW 186-300 Rear Lift (Braun1000/3454) Raised Floor 12P/2WC/Slide Click	914 County Road 1 North Elkhart, IN 46514 (574) 327-2700 A DIVISION OF FOREST RIVER	 elkhart Coach
W.I. NUMBER	DATE: 1-28-21	SHEET 1 OF 1	
SCALE	N.T.S.	DRAWN BY: JOT	900-05-1334
REFERENCE:	NUMBER	CHECKED BY:	
REV	DESCRIPTION	PART NUMBER	REV A

ELKHART COACH WEIGHT ANALYSIS

INPUT AREAS=	VEHICLE DESCRIPTION:	CHASSIS	Quote #	MODEL	FUEL TYPE:	FUEL CAP.	FUEL WGT PER GAL				
FLOOR PLAN# 900-05-1334	12p/2wc	E-450	Q-42-032321-00	ECCW 186-300/7.35	Gas	55	6.17				
Reference: 10660											
Date: 3/23/21											
	WHEELBASE	PER IN. VALUE CALC		AXLE WEIGHTS		FUEL AMT.	WGT OF FUEL	FUEL ADJ. AMT.			
	186	0.54		LEFT FRONT	RIGHT FRONT	0.25	339.35	-84.84			
				1790	1977			DEALER			
	FRONT	REAR	TOTAL	LEFT REAR	RIGHT REAR	215		Davy			
	5000	9600	14500	2797	3116						
	LEFT (ROADSIDE)					RIGHT (CURBSIDE)					
	DRIVER	DISTANCE (IN.)	WEIGHT (LBS.)	% REAR AXLE	FRONT	REAR	DISTANCE (IN.)	WEIGHT (LBS.)	% REAR AXLE	FRONT	REAR
		44	150	23.86%	114.52	35.48			0.00%	0.00	0.00
				0.00%	0.00	0.00			0.00%	0.00	0.00
	2 PASS	93	45	50.00%	-22.50	-22.50	100	45	53.76%	-20.81	-24.19
		128	45	88.82%	-14.03	-30.97	134	45	72.04%	-12.58	-32.42
	2 PASS	165	91	88.71%	-10.27	-60.73	165	91	88.71%	-10.27	-60.73
		220	30	118.28%	5.48	-35.48	220	30	118.28%	5.48	-35.48
	1 PASS			0.00%	0.00	0.00			0.00%	0.00	0.00
	2 PASS	99	345	53.23%	161.37	183.63	108	345	58.06%	144.68	200.32
	2 PASS	147	345	79.03%	72.34	272.66	148	345	79.57%	70.48	274.52
	2 PASS	195	345	104.84%	-16.69	361.69	188	345	101.08%	-3.71	348.71
	W/C	235	250	126.34%	-65.66	315.66	235	250	126.34%	-65.66	315.66
				0.00%	0.00	0.00			0.00%	0.00	0.00
	Sub Mor-Ryde	158	-50	84.95%	-7.53	-42.47	158	-50	84.95%	-7.53	-42.47
				0.00%	0.00	0.00			0.00%	0.00	0.00
	Add Front Romeo Bumper	-29	16.5	-15.59%	19.07	-2.57	-29	16.5	-15.59%	19.07	-2.57
				0.00%	0.00	0.00			0.00%	0.00	0.00
	Add Rear Romeo Bumper	270	7.5	145.16%	-3.39	10.89	270	7.5	145.16%	-3.39	10.89
				0.00%	0.00	0.00			0.00%	0.00	0.00
	Add Rear Door	264	25	141.94%	-10.48	35.48	264	25	141.94%	-10.48	35.48
				0.00%	0.00	0.00			0.00%	0.00	0.00
	Add On Spot Chains	158	33	84.95%	4.97	28.03	158	33	84.95%	4.97	28.03
				0.00%	0.00	0.00			0.00%	0.00	0.00
	Add Bike Rack	-32	32.5	-17.20%	38.09	-5.59	-32	32.5	-17.20%	38.09	-5.59
				0.00%	0.00	0.00			0.00%	0.00	0.00
	Add 3/4" Marine	145	30	77.96%	6.61	23.39	145	30	77.96%	6.61	23.39
				0.00%	0.00	0.00			0.00%	0.00	0.00
	TOTAL PASSENGER LOAD				271.70	1046.80				154.76	1013.74
	AXLE WEIGHTS				1790.00	2797.00				1977.00	3116.00
					FRONT	REAR	LEFT/RIGHT TOTALS	LEFT/RIGHT %'S			
					2041.86	3990.90	6032.76	0.486			
					2111.92	4276.84	6388.76	0.514			
					FRT / REAR TOTALS	4153.77	8267.74	12421.51			
					AXLE CAPACITIES	5000	9600	14500			
					AVAILABLE CAPACITIES	846.23	1332.26	2078.49			

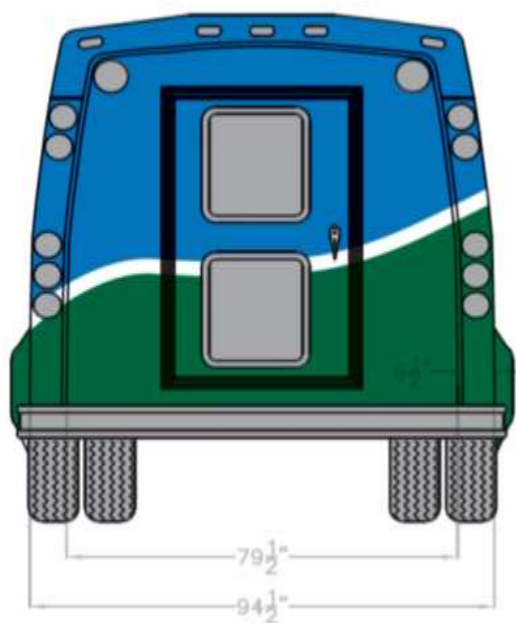
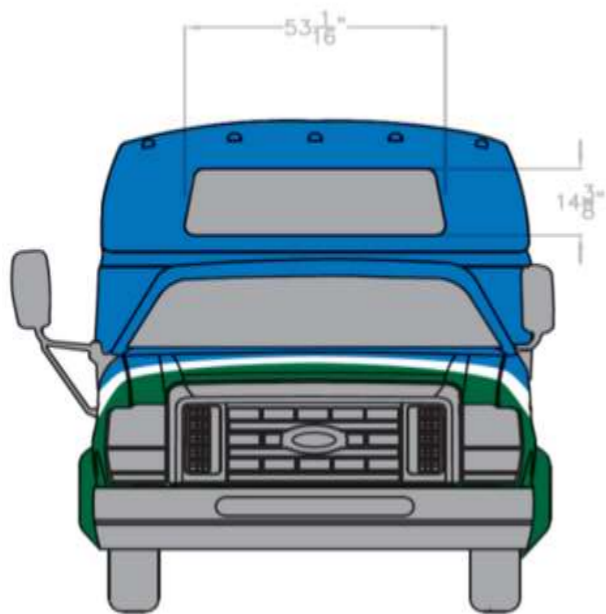


PAINT AND GRAPHICS

TWO TONE PAINT AND WHITE LOGO GRAPHICS/LETTERING.

THREE COLORS:

- BLUE: MATCH PMS 285
- GREEN: MATCH PMS 3425
- WHITE



DS
W

DS
[Signature]

CUSTOM PAINT AND GRAPHICS PRICING

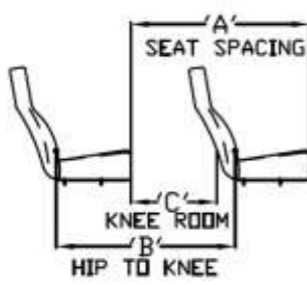
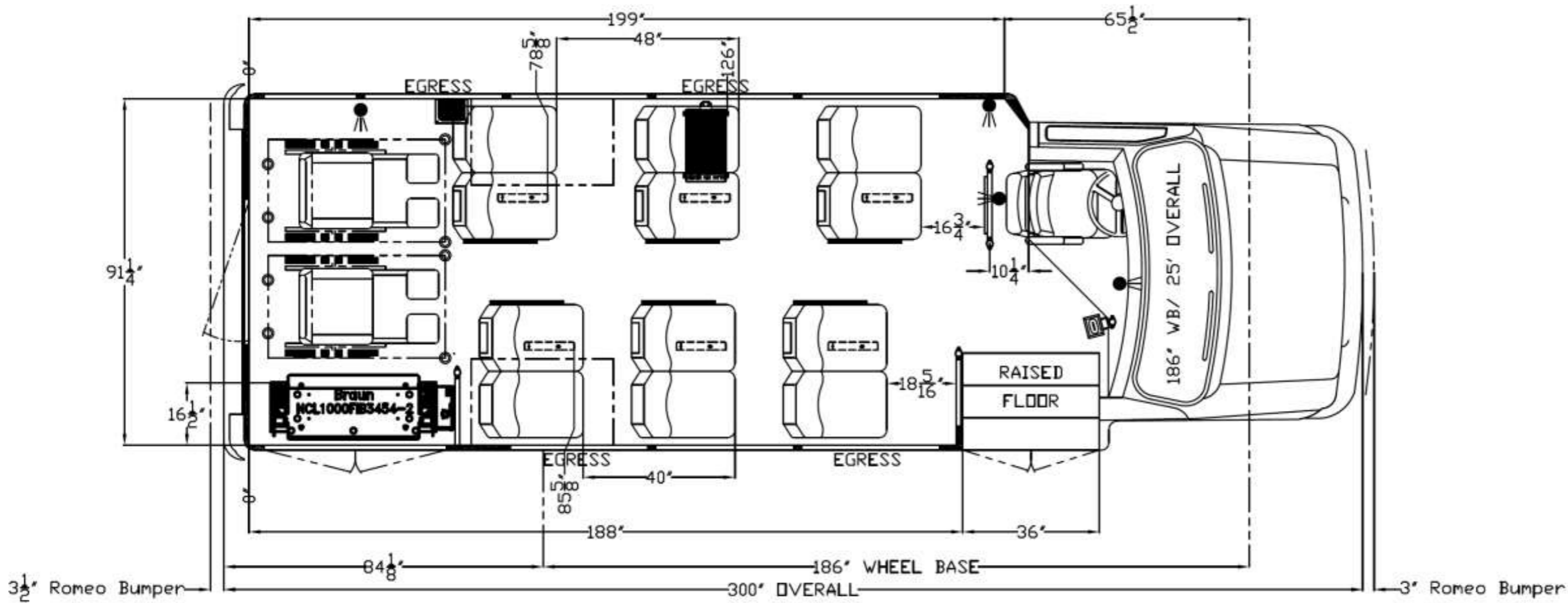
QTY	TIER	EXAMPLES	CUSTOM PAINT OPTIONS	PRICE RANGE	TOTAL		
	P1			Striping	\$2,995.00	\$0.00	
	P2			Solid or Two-Tone Paint with White Roof	\$3,527.00	\$0.00	
	P3			Solid Full Body Paint	\$5,164.00	\$0.00	
1	P4			Two-Tone Full Body Paint	\$9,320.00	\$9,320.00	
QTY	TIER	EXAMPLES	CUSTOM GRAPHICS OPTIONS	PRICE RANGE	ACTUAL PRICE	TOTAL	
	G1			Spot Graphics, Lettering	\$250 - \$600	\$0.00	
1	G2			Spot Graphics, Lettering, Multiple Designs	\$1,000 - \$1,500	\$1,115.00	\$1,115.00
	G3			Spot Graphics, Lettering, Multiple Designs, Partial Coverage	\$1,500 - \$2,500	\$0.00	
	G4			Partial Wrap to 3/4 Wrap	\$2,500 - \$5,500	\$0.00	
	G5			3/4 Wrap to Full Wrap	\$5,500 - 8,500	\$0.00	

DS
W DS

TOTAL PAINT & GRAPHICS **\$10,435.00**

CAMERA VIEW ANGLES

REV	DATE	BY	DESCRIPTION	REV	DATE	BY	DESCRIPTION	REV	DATE	BY	DESCRIPTION
-	-	-	-	-	-	-	-	-	-	-	-



● = Camera

Note: All camera locations shown are approximate. Cameras may not be installed in these exact locations.

SEAT STYLE	SEAT SPACING 'A'	HIP-TO-KNEE 'B'	KNEE ROOM 'C'
MID HIGH	48"	46"	28"
MID HIGH	40"	38"	20"

DEALER SIGNATURE: _____

Q-42-032321-00

DO NOT SCALE	PROJECTION	DESCRIPTION			914 County Road 1 North Elkhart, IN 46514 (574) 327-2700 A DIVISION OF FOREST RIVER		
	SIZE A	W.I. NUMBER	DATE: 1-28-21	SCALE: N.T.S.	REFERENCE: NUMBER	SHEET 1 OF 1	
THIS DOCUMENT AND THE INFORMATION CONTAINED HEREIN ARE THE EXCLUSIVE PROPERTY OF ELKHART COACH. IT SHALL NOT BE COPIED OR DUPLICATED IN ANY MANNER, NOR SHALL IT BE SUBMITTED TO OUTSIDE PARTIES FOR EXAMINATION WITHOUT OUR WRITTEN CONSENT. IT IS LOANED FOR USE WITH REFERENCE TO WORK UNDER CONTRACT WITH, OR PROPOSALS SUBMITTED TO ELKHART COACH.		TOLERANCES UNLESS OTHERWISE SPECIFIED ARE: FLOORPLANS ±1/2" ALL STRUCTURAL ±1/8" ANGLE ±1°		DRAWN BY: JOT	PART NUMBER: 900-05-1334	REV A	
				CHECKED BY:			

DS
W

DS